

The Battery

SBR096 – SBR256

Premium Version vs. V0 Version



New SBR Premium vs. SBR V0 Part Numbers

The SBR Premium are B2 and E2 part number while the V0 are B1 and E1:

	Art. No.	Art. Name
B1	A-SA-00104	SBR battery module (IEC)_SMR032_**V0
E1	A-ST-02594	SBR accessory (IEC)_Top/Base/SGR_**V0
B2	A-SA-00165	SBR battery module (IEC)_SMR032_**V114
E2	A-ST-03129	SBR accessory (IEC)_Top/Base/SGR_**V114

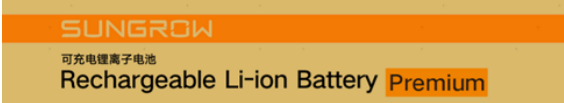

From February 2022 onwards only Premium SBR will be produced.

From now on, the customer should order only SBR Premium version PN B2 and E2. No further purchase orders should arrive with older PN.

The following are the differences in design between the V0 and Premium SBR.

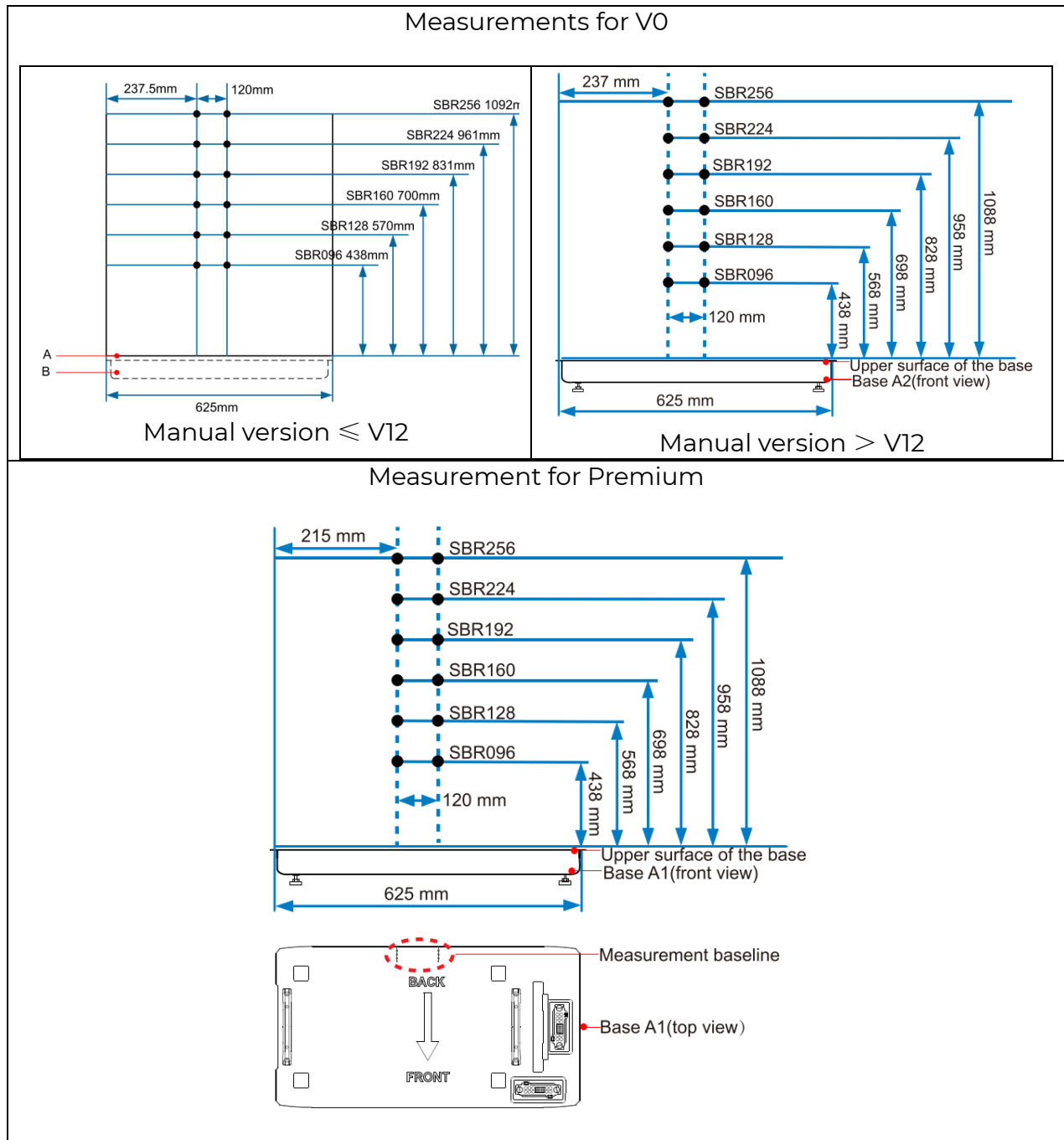
Packaging

The Premium logo is added on the packaging for distinction.

Premium	V0
 <p>SUNGROW 可充电锂离子电池 Rechargeable Li-ion Battery Premium</p>	 <p>SUNGROW 可充电锂离子电池 Rechargeable Li-ion Battery</p>
<p>All the premium products including the battery module and accessory add Premium stickers</p>	<p>The V0 Product does not have the Premium logo.</p>

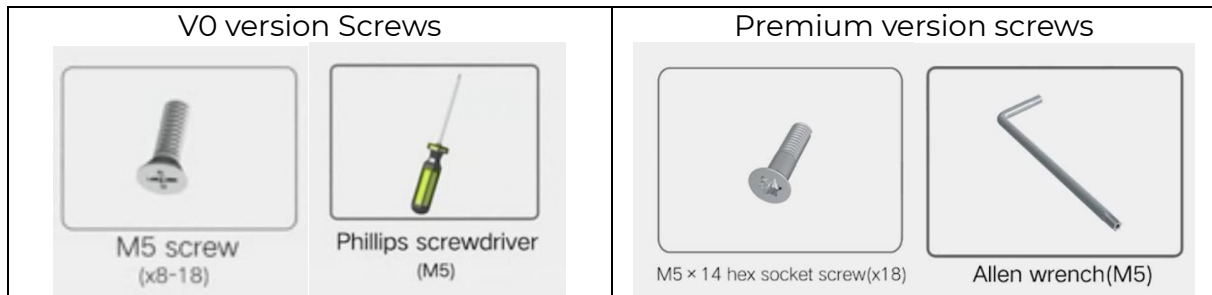
Battery Module

The position of the holes for the mounting bracket are different in the Premium battery module. V0 is 237.5mm from the side, while Premium is 215mm from the side.



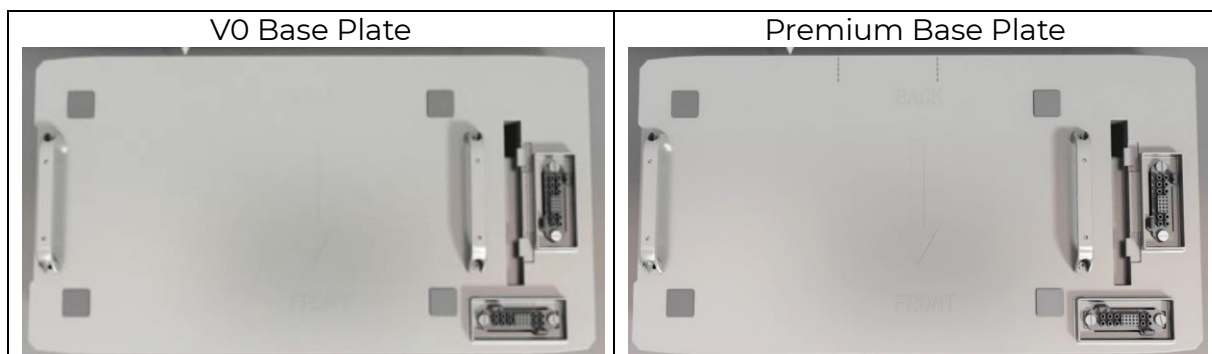
Screws

The V0 Battery Module and Accessory contain cross screws, while the Premium contains only Hex screws. This is a meaningful difference for the installation (also compared to the EU installation video)



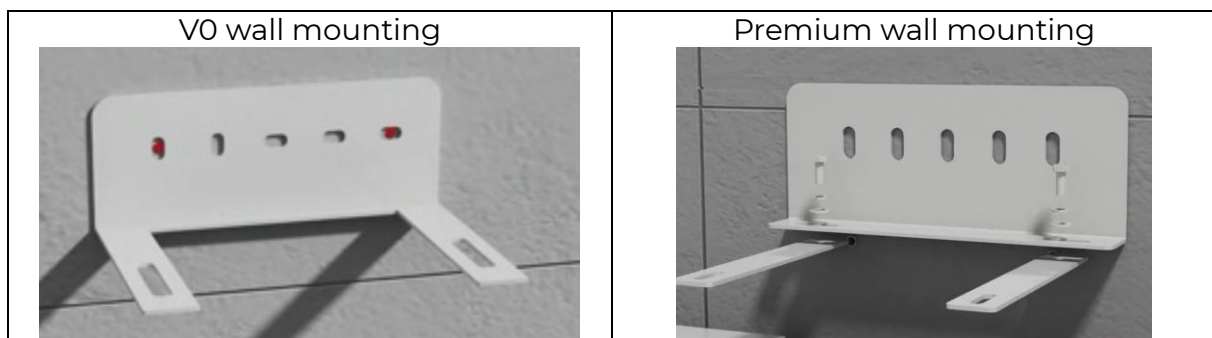
Base Plate

The base plate in the Premium version adds guiding lines for marking the hole position for the wall mount bracket on the wall.



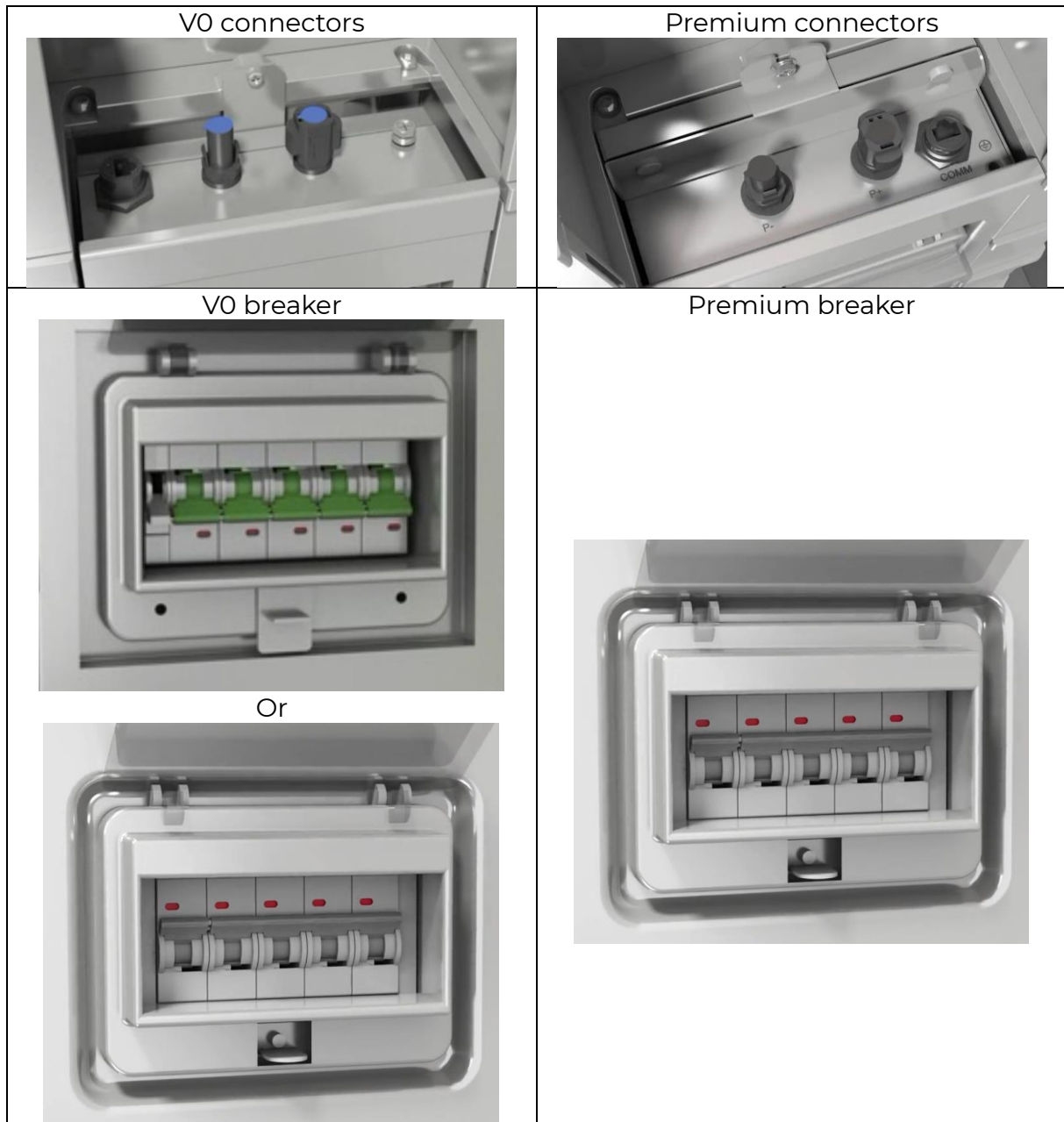
Wall mounting bracket

The V0 Accessory box includes a fixed wall-mounting bracket. The Premium version includes a wall-mounting bracket with two detachable arms.



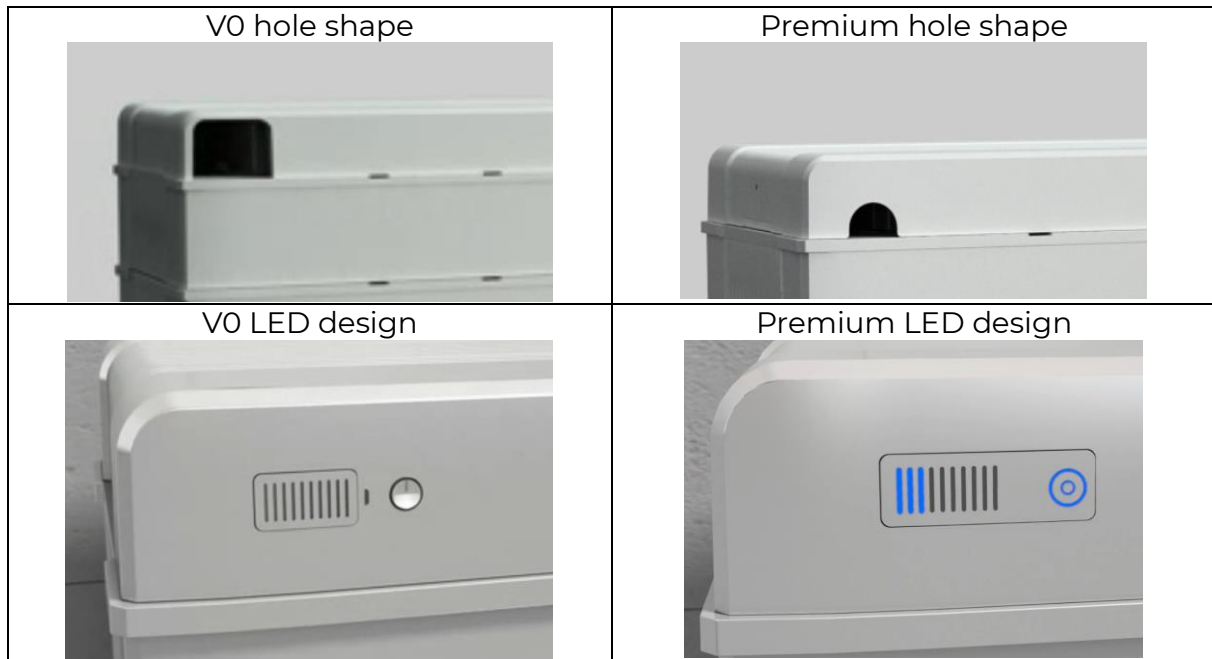
Side Breaker

The Premium Version side breaker has a different arrangement of the connector, and a different breaker model compared to V0.



Top Cover

The Premium top cover has a round hole at the back side and it has a new design LED light.



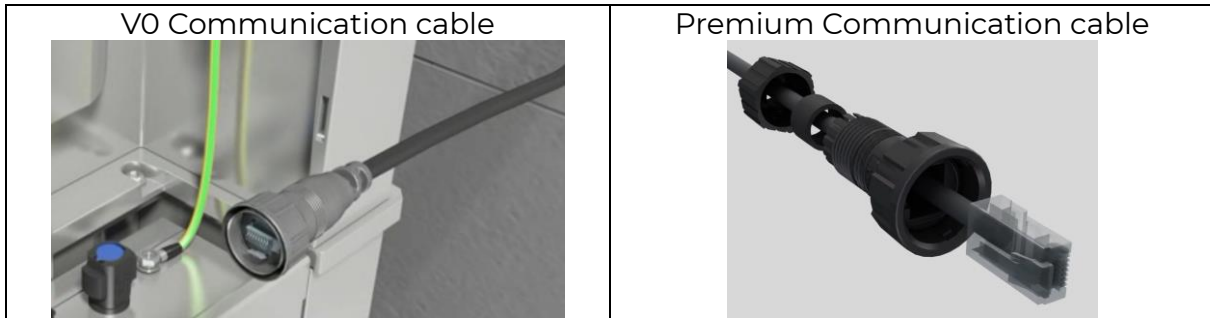
Stud vs. Long screw

The V0 version came with a stud to fix the battery module to the top cover to be inserted before putting the top cover on. The Premium version replaces the stud with a long hex screw that is inserted after the top cover to fix it to the module.



Communication Cable

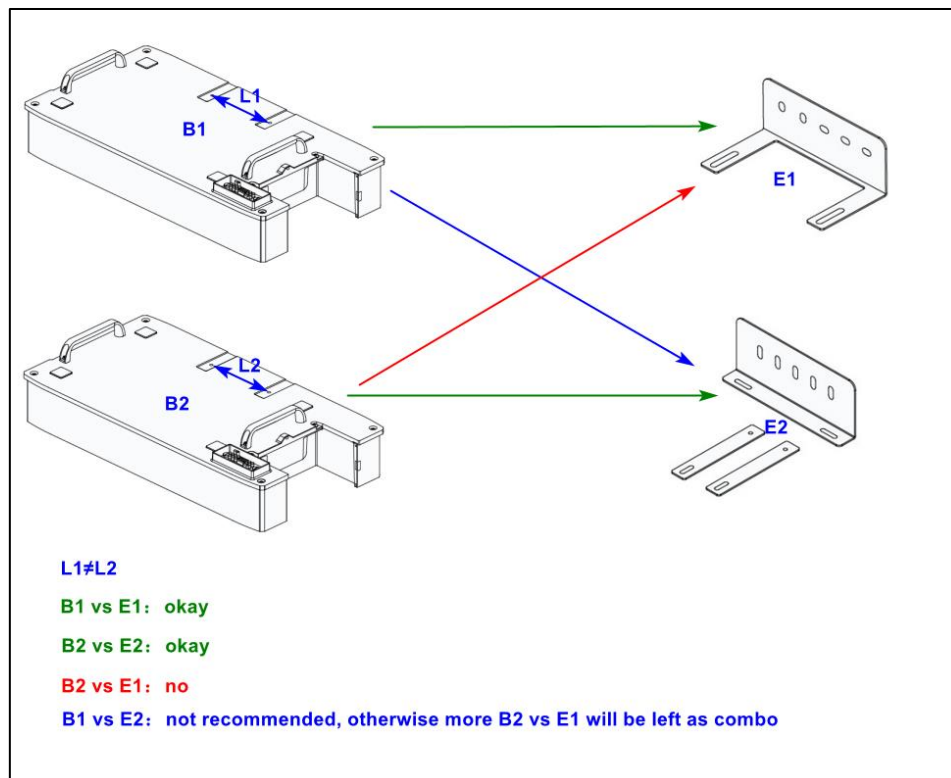
V0 version provided the communication cable already assembled with a RJ45 terminal. The Premium version provides a naked CAT5 cable and separated RJ45 terminal.



Non-mix Distribution Requirement

The accessory box of V0 does not fit with the Premium battery module. It requires an additional E2 wall-mounting bracket. The accessory box of Premium can however work with the V0 battery module.

Please contact SUNGROW if additional E2 wall-mounting bracket is needed.



Conclusions

1. From now on, customer should order only the new SBR part number for Premium. We shall not receive any order of V0 anymore.
2. If the customer has stock of the V0 version Accessory Box, at least 1 V0 Battery Module should be provided together with the V0 Accessory Box. This V0 Battery Module should be installed at the top position to match with the V0 wall mounting bracket.
3. If only V0 Accessory Box are available to be matched with only Premium Battery modules, then the end customer shall contact our Service Department to supply a spare Premium Wall-mounting kit.
4. In case of end-customer wants to add new Premium Battery Modules to an existing V0 SBR, one of the V0 Battery Modules should be kept in the top position to match with the V0 Wall Mounting Kit. Alternatively, an additional Premium Accessory box should be purchased alongside the new Premium Battery Modules.