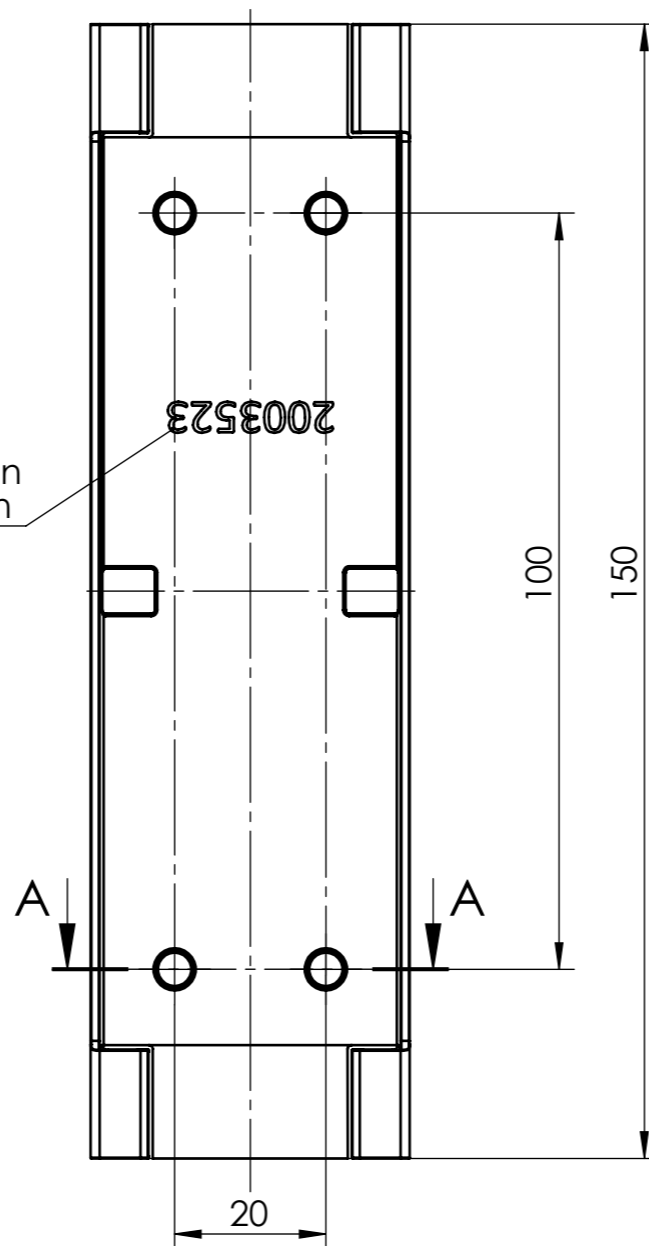


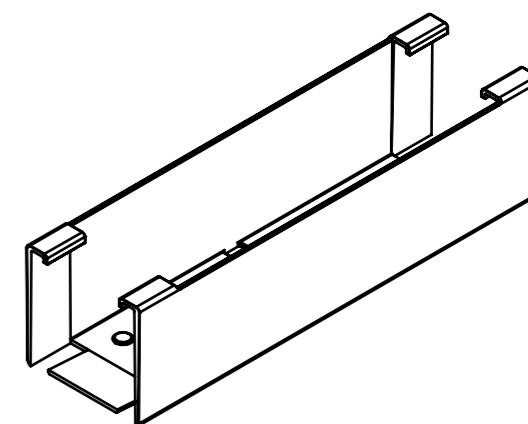
Stempel 0,3mm vertieft

Art.Nr 2003523 von Boden  
0,3mm hoch

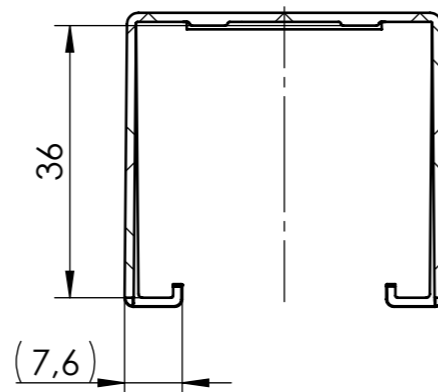
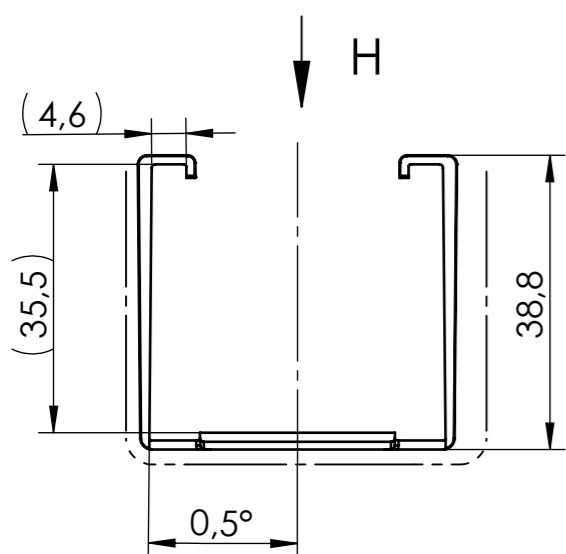
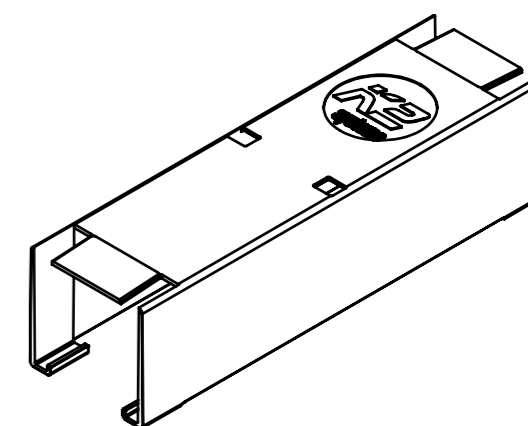
Ansicht H



Schnitt A-A



Isometrie  
1:2



--- :Sichtbare Oberfläche



K2 Systems GmbH  
Industriestr. 18  
71272 Renningen  
Germany  
+49 7159 42059-0

Designation: **Data sheet  
Black Cover  
SingleRail 36**

	Name	Date	Material:	Item no.:	A3
Designed	E. Markou	28.11.2022	PA6 GK30	2003523	
Approved	K. Mahboobi	27.03.2023	Surface: Surface erodied VDI3400 Ref.No.:36	Drawing no.:	04-059-00
Last change			Weight: ca. 26,1 g/pc	Scale: 1:1	All dimensions in mm