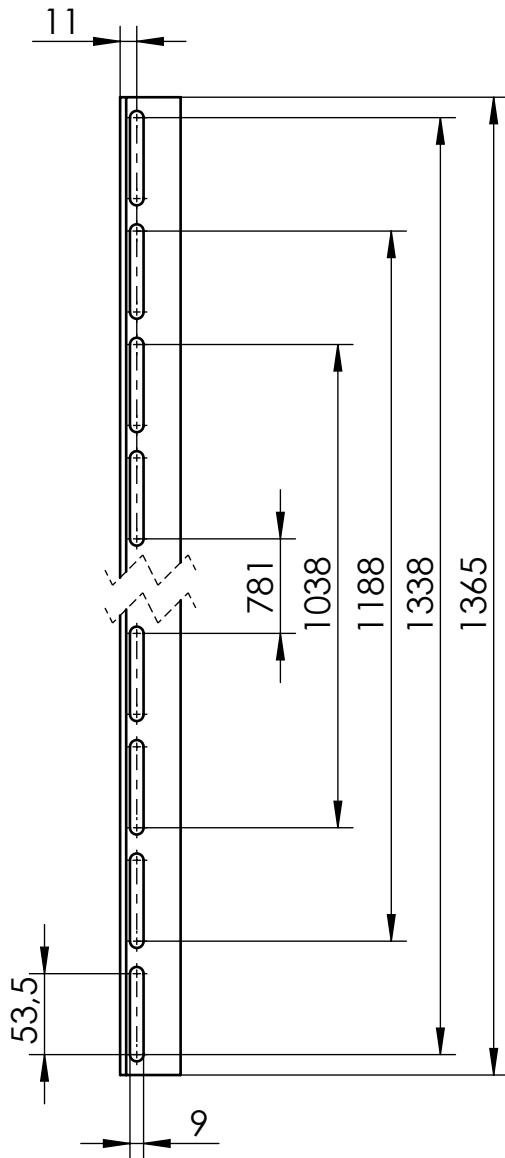
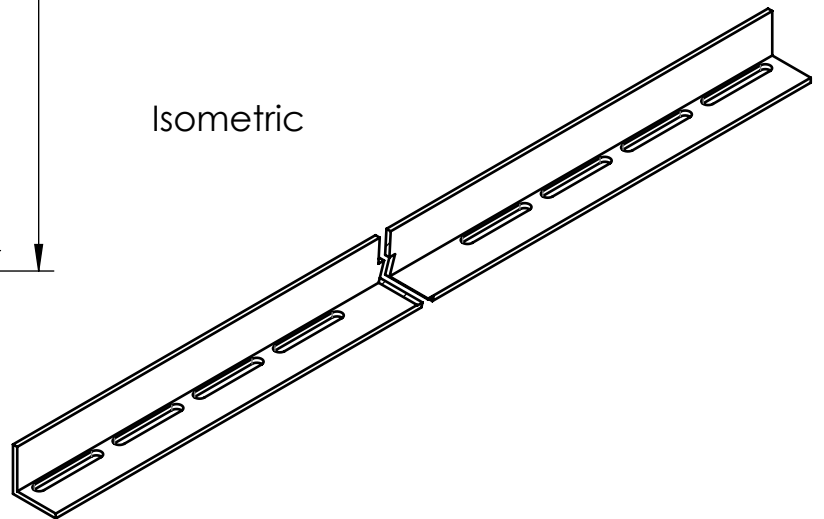


Maximum allowable ballast:

178 kg
distributed on mounted Set (2 pieces)



Isometric



K2 Systems GmbH
Haldenstr. 1
71272 Renningen
Germany
+49 7159 42059-0

Designation:

Data sheet
Dome Porter Flex

F	Name	Date	Material:	Item no.:	A4	
	Designed	S. Frey	29.04.2021	EN AW 6063 T66		2004157
	Approved	S. Frey	24.09.2024	Surface: mill finish	Drawing no.:	07-354-04
	Last change	M. Schulte	24.09.2024	Weight: ca. 1073.3 g/pc	Scale: 1:5	All dimensions in mm
<p>This drawing is the sole property of K2-Systems GmbH. It is protected by copyright and may only be copied, reproduced or distributed to a third party with explicit permission!</p>						



Densys pv5

We deliver. You install. The sun does all the rest.

Data sheet provided for you @ www.densys-pv5.de

Sheet 1 of 1