

1

2

3

4

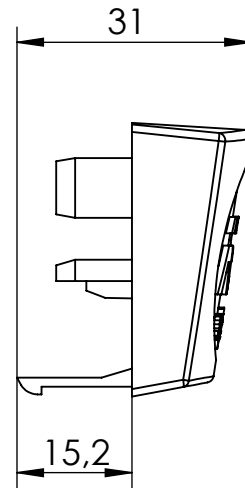
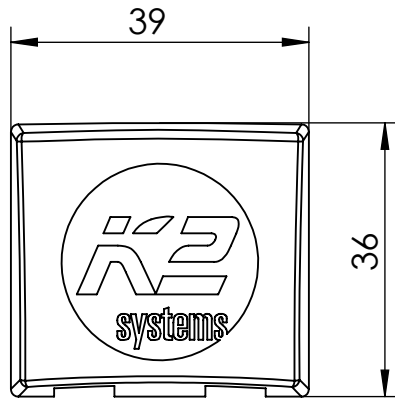
A

B

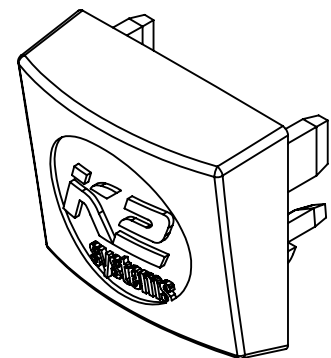
C

D

E



Isometric



K2 Systems GmbH
 Haldenstr. 1
 71272 Renningen
 Germany
 +49 7159 42059-0

Designation:

Data sheet
 SingleRail 36 EndCap

F

	Name	Date	Material:
Designed	M. Preiß	31.01.2025	PA Typ 6
Approved	A. Soumpalas	09.09.2025	Surface: Surface eroded VDI3400 Ref.No. 35

Item no.:	1004767	A4
Drawing no.:	04-067-05	All dimensions in mm