

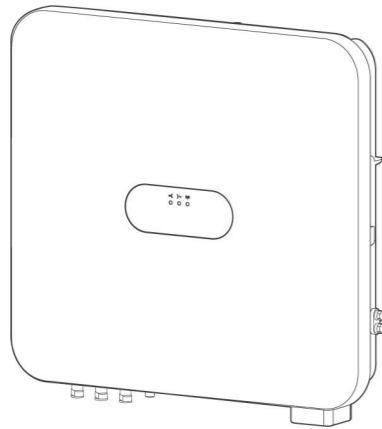
# SUN2000

5K/6K/8K/10K/12K-MAPO-ZH  
5K/6K/8K/10K/12K-MAPO  
10K-MAPO-BE

## EN Quick Guide ZH 快速指南



Scan for Support  
扫码获取支持



**EN** Before installing the equipment, read the user manual carefully to get familiar with product information and safety precautions. The product warranty does not cover equipment damage caused by failure to follow the storage, transportation, installation, and usage guidelines specified in this document and the user manual. Scan the QR code on the device to view the user manual and safety precautions. The information in this document is subject to change without notice. Every effort has been made in the preparation of this document to ensure accuracy of the contents, but all statements, information, and recommendations in this document do not constitute a warranty of any kind, express or implied.

**ZH** 安装设备前请仔细阅读用户手册，了解产品信息及安全注意事项。未按照本文档与用户手册的内容存储、搬运、安装和使用设备而导致设备损坏，不在设备质保范围内。您可以扫描机身处的“扫码获取支持”二维码，查阅用户手册和安全注意事项等信息。由于产品版本升级或其他原因，本文档内容会不定期进行更新。除非另有约定，本文档仅作为使用指导，文档中的所有陈述、信息和建议不构成任何明示或暗示的担保。

### 1 EN Installation Requirements ZH 安装要求

### 2 EN Installing the Device ZH 安装设备

### 3 EN Preparing a PE Cable ZH 准备保护地线

### 4 EN Preparing DC Cables ZH 准备直流线缆

### 5 EN Preparing an AC Cable ZH 准备交流线缆

**EN**

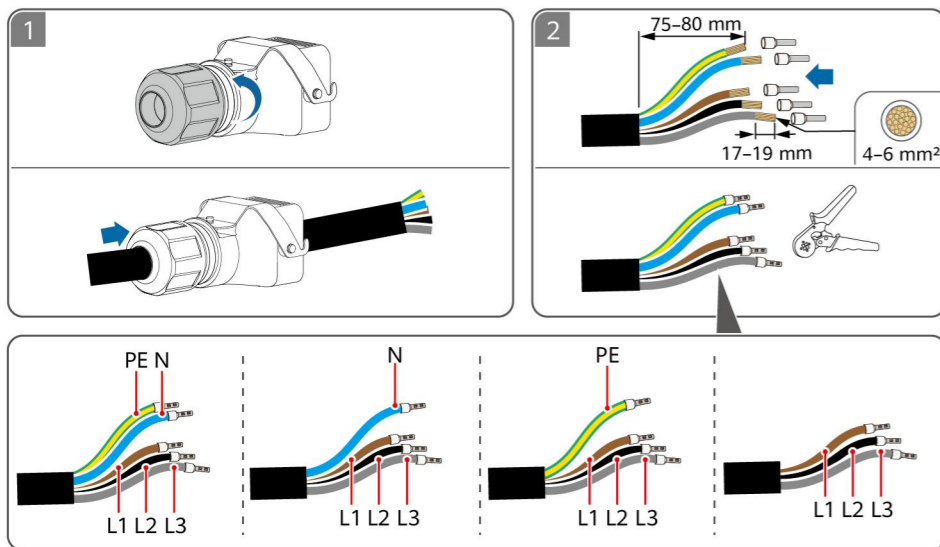
- Strip the insulation layers of the AC output power cable by the recommended length (17-19 mm) to ensure that the cable conductors are completely inside the conductor insertion points and no insulation layer is pressed into the conductor insertion points. Tighten the cable conductors to a torque of 2.8-3.2 N·m. Otherwise, the device may fail to run properly or be damaged during operation.
- Do not connect loads between the inverter and the AC switch that directly connects to the inverter. Otherwise, the switch may trip by mistake.
- If an AC switch is used with specifications beyond local standards, regulations, or Huawei's recommendations, the switch may fail to turn off in a timely manner in case of exceptions, causing serious faults.
- Each inverter shall be equipped with an AC output switch. Multiple inverters cannot connect to the same AC switch.
- To ensure that the inverter can be safely disconnected from the power grid when an exception occurs, connect an AC switch to the AC side of the inverter. Select an appropriate AC switch in accordance with local industry standards and regulations.

**ZH**

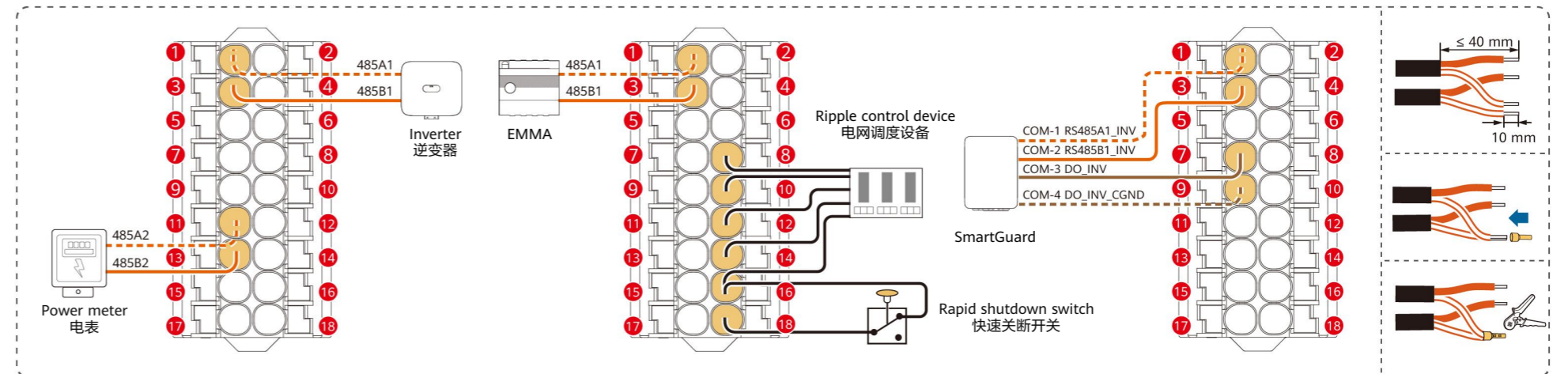
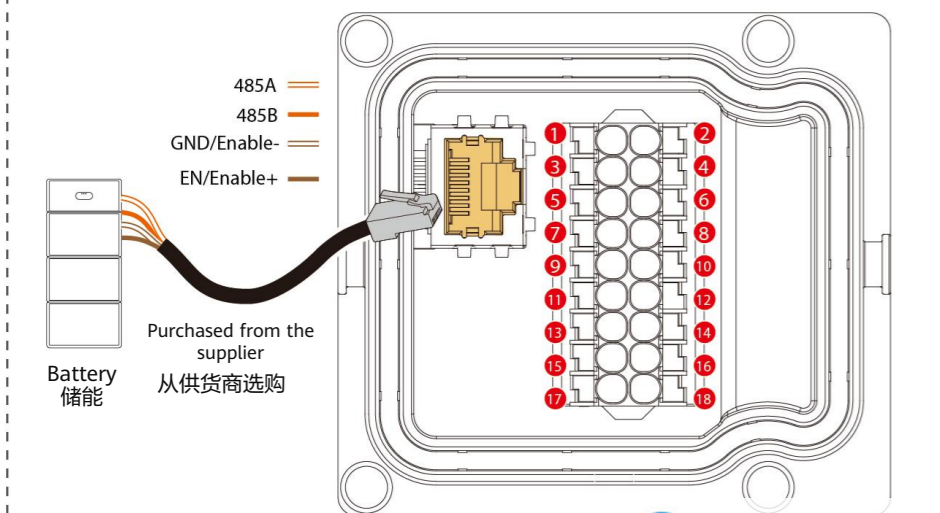
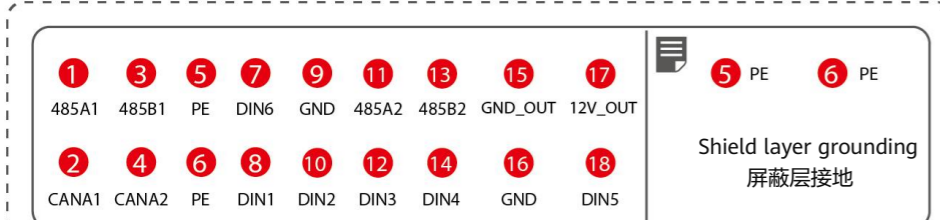
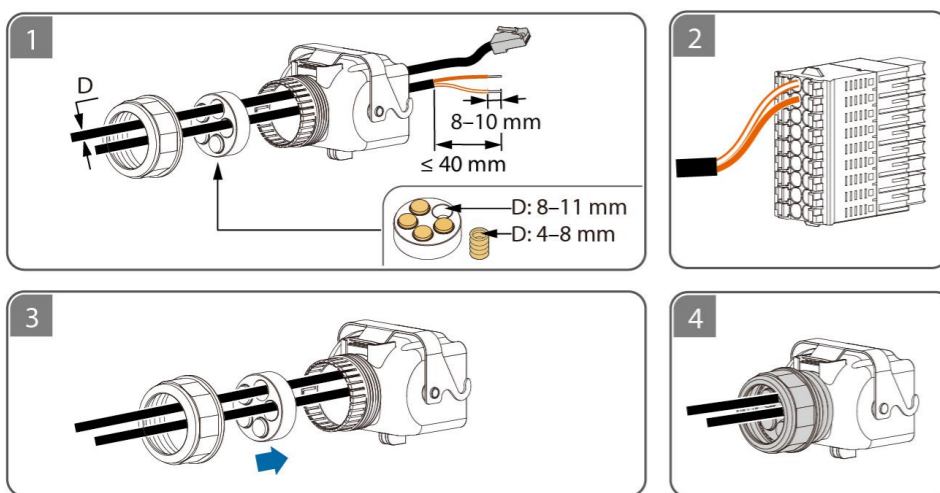
- 交流输出线需按推荐长度（17-19 mm）剥去电缆绝缘层，确保电缆导体完全进入接线孔且无电缆绝缘层被压入接线孔，将电缆导体按照力矩要求（2.8-3.2 N·m）紧固。否则可能导致设备无法正常运行，或运行后设备损坏。
- 禁止在逆变器和与逆变器直连的交流开关之间接入负载，避免引起开关误脱扣。
- 未按当地标准、法规或华为推荐值要求，采用过大规格交流开关，异常情况下可能无法及时安全断开，引发严重故障。
- 每台逆变器需配备一个交流输出开关，多台逆变器不可同时接入一个交流开关。
- 为确保发生异常情况时，逆变器与电网可以安全断开，请在逆变器交流侧接入交流开关。请根据当地行业标准及法规选择合适的交流开关。

Language	Component	Description	Specifications
EN	AC switch	Recommended: three-phase AC circuit breaker	Rated voltage ≥ 415 V AC Rated current: 5K and 6K: 16 A 8K: 25 A 10K and 12K: 32 A
ZH	交流开关	推荐使用三相交流断路器	额定电压 ≥ 415V AC 额定电流: 5K,6K: 16A 8K: 25A 10K,12K: 32A

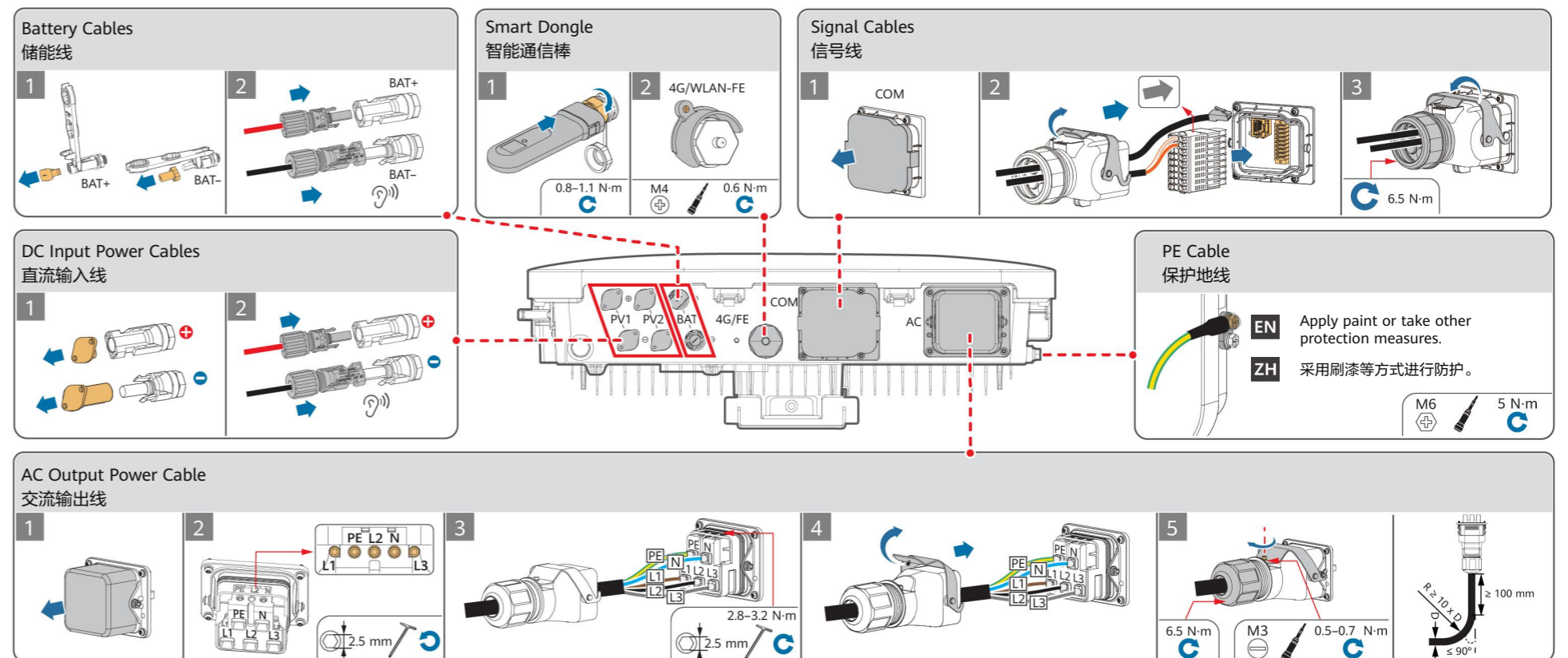




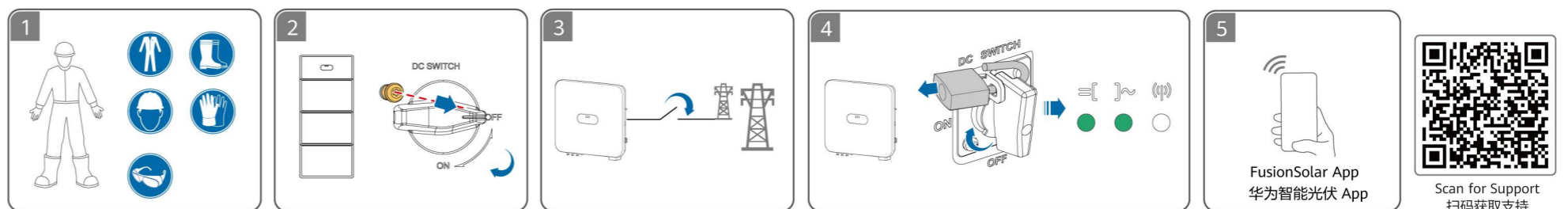
## 6 EN Preparing Signal Cables ZH 准备信号线缆



## 7 EN Electrical Connections ZH 电气连接



## 8 EN Power-On and Commissioning ZH 上电调测



Huawei Digital Power Technologies Co., Ltd. EN

Huawei Digital Power Antuoshan Headquarters  
Futian, Shenzhen 518043  
People's Republic of China  
e.huawei.com

华为数字能源技术有限公司 ZH

深圳市福田区华为数字能源安托山基地  
邮编: 518043  
e.huawei.com



We deliver. You install. The sun does all the rest.

Data sheet provided for you @ [www.densys-pv5.de](http://www.densys-pv5.de)



Scan for Support  
扫码获取支持